



Inlet Vacuum Filters ISO-NW & ISO-K Flanges

APPLICATIONS & EQUIPMENT

- Vacuum Pumps & Systems – Rotary Vane, Piston and Scroll
- Safeguard mechanical pumps from dust particles and other foreign matter
- Protect the system from pump fluid or particulate migration (Backstreaming)
- Prevent dry scroll tip seal migration
- Trap condensable vapors
- Mist removal for gear box venting
- Leak detection systems
- Vacuum coating
- Medical/ Sterilization Industry
- Laser Technology

FEATURES & SPECIFICATIONS

- **Vacuum level:** Typically 1×10^{-5} mmHg (1×10^{-5} mbar - L/sec)
- Interchangeable cartridge provides for easy clean replacement
- Rugged all steel construction w/ zinc nickel plating
- Stainless steel torsion clips for durability
- Positive engagement O-ring seal system
- Seamless drawn housings
- **Large** dirt holding capacity and **Easy** field cleaning, especially when mounted horizontally or inverted
- Housing is ATEX compliant
- Temp (continuous): min -15°F (-26°C) max 220°F (104°C)

FILTER MEDIA OPTIONS (Inquiries Encouraged)

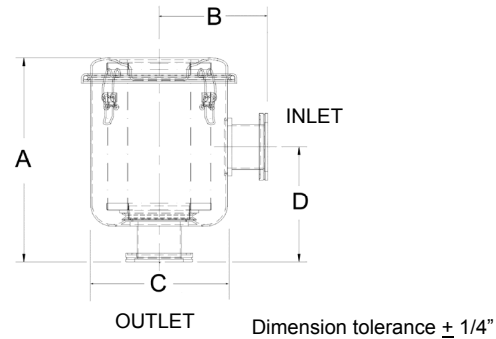
- Polyester:** Pleated media for high dirt holding capacity 99%+ removal efficiency standard to 5 micron
- Paper:** Pleated media for high dirt holding capacity 99%+ removal efficiency standard to 2 micron
- Activated Alumina:** Prevents Backstreaming and traps water and acid vapors
- Activated Carbon:** Wound A.C. impregnated polyester media provides dual filtration; stops both particulate matter, gas or vapor odors and contaminants
- S.S. Wire Mesh:** Corrosive resistant media w/ large surface area, traps condensable particles and oil vapors
- A.C. Granulate:** Granulate filled cartridge provides greatest capacity to absorb gas or vapor odors

- Industrial coatings: Teflon, Epoxy, Kynar, Stainless Steel housing construction

CONFIGURATION



DRAWING



with Polyester Element	with Paper Element	ISO Flange	DIMENSIONS - inches				Rated Flow SCFM		Approx. Wt. lbs
			A	B	C	D	Nominal Rating	Element Rating	
CSL-825-NW16	CSL-824-NW16	NW16	3 7/8	2 5/8	3 3/4	2 1/4	23	25	0.88
CSL-825-NW25	CSL-824-NW25	NW25	3 7/8	2 5/8	3 3/4	2 1/4	25	25	0.88
CSL-843-NW25	CSL-842-NW25	NW25	4 3/8	3 3/8	5 3/4	2 3/4	35	55	3
CSL-843-NW40	CSL-842-NW40	NW40	4 3/8	3 3/8	5 3/4	2 3/4	55	55	3
CSL-849-NW40	CSL-848-NW40	NW40	7 3/16	4 5/8	7 3/8	5	80	115	5
CSL-851-K63	CSL-850-K63	K63	11 1/2	6	8 3/4	6 1/2	210	290	15
CSL-239-K100	CSL-238-K100	K100	15 3/16	8 5/16	13 1/4	8 1/8	520	570	33